

Locking Assembly RfN 7012 · Location · Calculation of hubs see on page 92-93
(Calculation possible for other hub forms in our calculation program)

Characteristics

As the industry standard, the RfN 7012/RfN 7012-IN Locking Assembly is suitable for most applications.

Transmission of high loads – up to 4 RfN 7012/RfN 7012-IN Locking Assemblies can be used in series, the transmissible torques and axial forces are added. (Please contact our specialists for assistance).

Bending moment and radial loads – Combined loads can be transmitted. (Please contact our specialists for assistance).

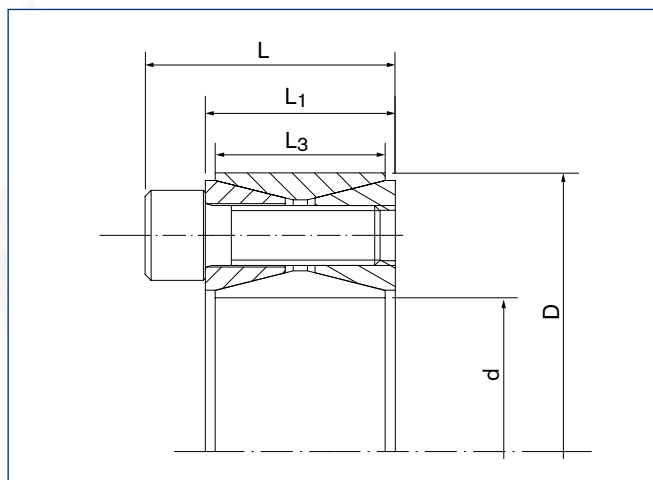
Simplified manufacture – RfN 7012/RfN 7012-IN Locking Assemblies can bridge large clearances without the loss of transmission values.

Low risk to contamination – During the tightening process the functional surfaces of the device are under pressure, sufficient enough to keep contaminants out, thereby preserving the integrity of the device.

Adjustable transmission values – The screw tightening torque can be varied, thus allowing for different torque transmission values. RfN 7012/RfN 7012-IN Locking Assemblies can be tightened and released repeatedly.

Example applications:

Sprockets, gears, coupling hubs, conveyor pulleys, idler wheels, sheaves



Locking Assembly RfN 7012 · Dimensions



Locking Assembly RfN 7012 · Belt pulley

Locking Assembly dimensions						Transmissible torques or axial forces		Surface pressure		Locking screws ISO 4762-12.9				Gw	D _{HG}	D _N min. at Rp0,2			
d	d	x	D	L	L ₁	L ₃	T	F _{ax}	Shaft PW	Hub PN	n _{sc}	D _G	SW			T _A	inch	200	300
inch	inch			inch			ft-lbs	lbs	psi		pcs.		mm	ft-lbs	lbs	inch			
0.750	3/4	x	1.850	1.083	0.787	0.669	225	7200	35000	14200	8	M 6 x 18	5	13	0.5	8	2.565	2.395	2.227
1.000	1	x	1.969	1.083	0.787	0.669	337	8088	33000	16800	9	M 6 x 18	5	13	0.6	8	2.915	2.679	2.454
1.125	1 1/8	x	2.165	1.083	0.787	0.669	424	9045	30000	15600	9	M 6 x 18	5	13	0.7	8	3.108	2.878	2.655
1.1875	1 3/16	x	2.159	1.108	0.813	0.669	445	8994	31000	17100	9	M 6 x 18	5	13	0.7	8	3.221	2.955	2.702
1.250	1 1/4	x	2.362	1.083	0.787	0.669	459	8813	35000	18600	12	M 6 x 18	5	13	0.7	8	3.666	3.330	3.017
1.375	1 3/8	x	2.365	1.071	0.776	0.669	622	10857	32000	18700	12	M 6 x 18	5	13	0.7	8	3.681	3.341	3.025
1.4375	1 7/16	x	2.559	1.083	0.787	0.669	748	12488	35000	19700	15	M 6 x 18	5	13	0.8	8	4.092	3.689	3.318
1.500	1 1/2	x	2.559	1.083	0.787	0.669	782	12512	33500	19700	15	M 6 x 18	5	13	0.8	8	4.092	3.689	3.318
1.625	1 5/8	x	2.953	1.319	0.945	0.787	1273	18801	39000	21500	12	M 8 x 22	6	30	1.3	10	4.968	4.417	3.926
1.6875	1 11/16	x	2.953	1.319	0.945	0.787	1320	18773	34000	19500	12	M 8 x 22	6	30	1.3	10	4.696	4.240	3.819
1.750	1 3/4	x	2.953	1.319	0.945	0.787	1368	18761	36000	21400	12	M 8 x 22	6	30	1.3	10	4.953	4.408	3.921
1.875	1 7/8	x	3.150	1.319	0.945	0.787	1454	18611	34000	20300	12	M 8 x 22	6	30	1.4	10	5.122	4.597	4.119
1.9375	1 15/16	x	3.150	1.319	0.945	0.787	1498	18556	32000	19700	12	M 8 x 22	6	30	1.4	10	5.037	4.541	4.085
2.000	2	x	3.346	1.319	0.945	0.787	1808	21696	37000	22200	14	M 8 x 22	6	30	1.4	10	5.744	5.079	4.493
2.125	2 1/8	x	3.346	1.319	0.945	0.787	1919	21673	35000	22300	14	M 8 x 22	6	30	1.4	10	5.761	5.090	4.499
2.1875	2 3/16	x	3.543	1.319	0.945	0.787	1971	21625	34000	21000	14	M 8 x 22	6	30	1.5	10	5.875	5.245	4.678
2.250	2 1/4	x	3.543	1.319	0.945	0.787	2023	21579	32000	20400	14	M 8 x 22	6	30	1.5	10	5.777	5.181	4.639
2.375	2 3/8	x	3.531	1.370	0.996	0.787	2127	21494	30500	20600	14	M 8 x 22	6	30	1.5	10	5.790	5.184	4.636
2.4375	2 7/16	x	3.740	1.319	0.945	0.787	2497	24586	34000	22200	16	M 8 x 22	6	30	1.6	10	6.421	5.677	5.022
2.500	2 1/2	x	3.740	1.319	0.945	0.787	2556	24538	33000	22100	16	M 8 x 22	6	30	1.6	10	6.402	5.665	5.015
2.5625	2 9/16	x	3.737	1.333	0.959	0.787	2617	24510	32000	22000	16	M 8 x 22	6	30	1.6	10	6.378	5.649	5.004
2.625	2 5/8	x	4.331	1.555	1.102	0.945	3775	34514	37000	22500	14	M 10 x 25	8	61	2.8	12	7.502	6.616	5.840
2.6875	2 11/16	x	4.331	1.555	1.102	0.945	3866	34524	36000	22400	14	M 10 x 25	8	61	2.8	12	7.479	6.602	5.832
2.750	2 3/4	x	4.337	1.532	1.079	0.945	4017	35057	36000	22900	14	M 10 x 25	8	61	2.8	12	7.602	6.681	5.881
2.875	2 7/8	x	4.528	1.555	1.102	0.945	4175	34852	34500	22000	14	M 10 x 25	8	61	2.9	12	7.728	6.844	6.063
2.9375	2 15/16	x	4.528	1.555	1.102	0.945	4262	34821	34000	22100	14	M 10 x 25	8	61	2.9	12	7.751	6.859	6.071
3.000	3	x	4.724	1.555	1.102	0.945	4332	34656	33000	21000	14	M 10 x 25	8	61	3.1	12	7.834	6.993	6.237
3.125	3 1/8	x	4.724	1.555	1.102	0.945	4515	34675	31000	20600	14	M 10 x 25	8	61	3.1	12	7.746	6.936	6.203
3.250	3 1/4	x	4.921	1.555	1.102	0.945	5355	39545	33000	21800	16	M 10 x 25	8	61	3.3	12	8.350	7.407	6.571
3.375	3 3/8	x	4.921	1.555	1.102	0.945	5558	39524	34000	23400	16	M 10 x 25	8	61	3.3	12	8.757	7.663	6.720
3.4375	3 7/16	x	5.118	1.555	1.102	0.945	5601	39105	32000	21500	16	M 10 x 25	8	61	3.4	12	8.609	7.655	6.805
3.500	3 1/2	x	5.118	1.555	1.102	0.945	5706	39127	31000	21200	16	M 10 x 25	8	61	3.4	12	8.536	7.608	6.776
3.750	3 3/4	x	5.305	1.594	1.142	0.945	6914	44250	34000	24100	18	M 10 x 25	8	61	3.6	12	9.646	8.387	7.317
3.9375	3 15/16	x	5.708	1.852	1.301	1.024	8402	51212	33000	22800	14	M 12 x 30	10	107	4.4	14	9.975	8.775	7.729
4.000	4	x	5.843	1.850	1.299	1.024	8489	50934	32000	22000	14	M 12 x 30	10	107	4.4	14	9.973	8.832	7.823
4.4375	4 7/16	x	6.496	1.850	1.299	1.024	10498	56778	34000	23300	16	M 12 x 30	10	107	5.2	14	11.525	10.093	8.859
4.500	4 1/2	x	6.496	1.850	1.299	1.024	10652	56811	33000	22900	16	M 12 x 30	10	107	5.2	14	11.386	10.007	8.809
4.9375	4 15/16	x	7.087	2.047	1.496	1.339	14493	70447	29000	20300	20	M 12 x 35	10	107	7.7	14	11.523	10.342	9.267
5.000	5	x	7.087	2.047	1.496	1.339	14672	70426	29000	20500	20	M 12 x 35	10	107	7.7	14	11.588	10.384	9.293
5.500	5 1/2	x	7.492	2.000	1.449	1.339	17804	77690	29000	21300	22	M 12 x 35	10	107	8.5	14	12.531	11.160	9.934
6.000	6	x	8.268	2.047	1.496	1.339	22762	91048	30500	22200	26	M 12 x 35	10	107	9.5	14	14.194	12.550	11.102
6.500	6 1/2	x	8.858	2.362	1.732	1.496	28336	104625	29000	21300	22	M 14 x 40	12	170	13	14	14.816	13.195	11.745
7.000	7	x	9.252	2.362	1.732	1.496	33220	113897	29000	22000	24	M 14 x 40	12	170	13	14	15.791	13.985	12.388
7.500	7 1/2	x	9.823	2.756	2.126	1.811	41369	132381	26500	20300	28	M 14 x 45	12	170	18	14	15.972	14.334	12.844
7.875	7 7/8	x	10.235	2.681	2.051	1.811	46707	142345	26500	20400	30	M 14 x 45	12	170	19	14	16.688	14.966	13.402

Ordering example: RfN 7012-IN

Series	d	D
RfN 7012-IN	1 15/16	3.150

Explanations to tables: Page 9

More sizes on request